

Presco Components Ltd

Selborne Street
Walsall
WS1 2JN

Tel: +44 (0) 1922 620202

Fax: +44 (0) 1922 632695

Email: scaff-sales@presco.co.uk

PRESCO

Scaffold Fittings & Metal Pressings

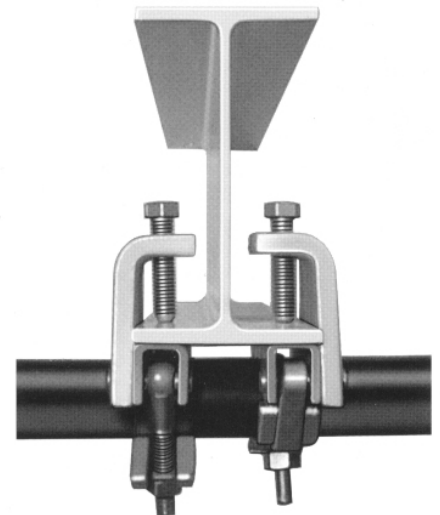
STANDARD GIRDER COUPLER



- Standard scaffold tube can be easily and securely coupled at 90° to steel 'I' and 'T' profile girders with flanges up to 45mm thick.
- Used in pairs, a coupler is fixed to each side of the girder, as shown below, and each flange is locked onto the flat bearing surface of each coupler by robust retaining bolts. The tube is gripped by the standard forged coupler lid.

The high specification includes:

- Quality materials ensure maximum strength and durability.
- Zinc coated with chromate passivation.
- Fits standard 1²⁹/₃₂" (48mm) scaffold tube.
- Slip resistance well in excess of BS1139 requirements.



SAFETY NOTE: ALL GIRDER COUPLERS MUST BE USED IN PAIRS

Available through a network of approved distributors throughout the U.K.

Manufactured to ISO9002 / BS5750 / EN74 Quality Assurance.

The **PRESCO** guarantee of quality and reliability.

www.presco.co.uk